

Gas Convection Oven

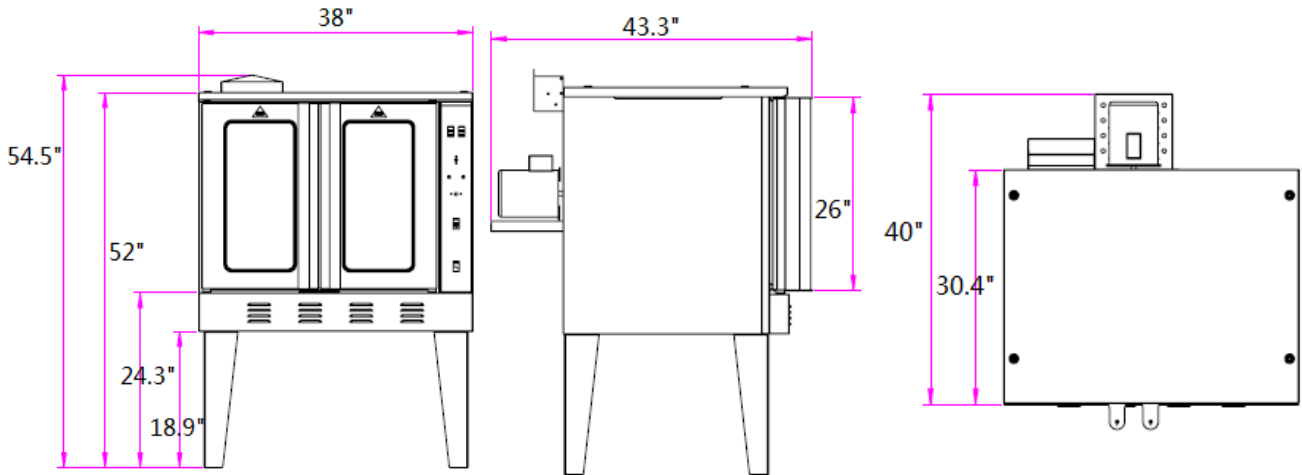
EGCO-613 Gas convection oven



Model: EGCO-613

STANDARD FEATURES

- Stainless steel front, galvanized sides with robust support
- Direct fired gas inshot burner(3), each 18,000 BTU/hr
- Temperature adjustable from 167° F to 563° F
- Porcelainized interior, easy to clean
- Dual pane thermal glass windows
- 60-minute electric timer with bell
- ½ hp fan motor with dual-speed control
- Removable 13-position rack guides
- 4 heavy duty chrome plated racks
- Cooling down function
- Interior chamber light
- Double stacking options to optimize kitchen space
- Automatic ignition system for gas safety operation
- Micro switch for complete shut off once door is opened
- 3/4" NPT rear gas connection



Model	Description	Total Input BTU/HR	Packing Size(IN)	N/W (LB)	G/W (LB)
EGCO-613	Gas Convection Oven	54,000	46x42x42	408	606