

Gas Restaurant Range



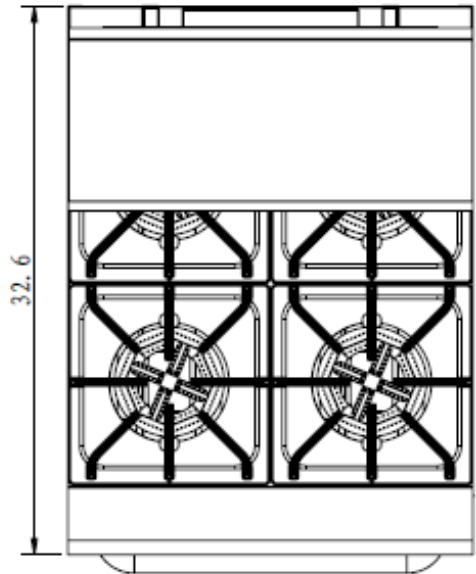
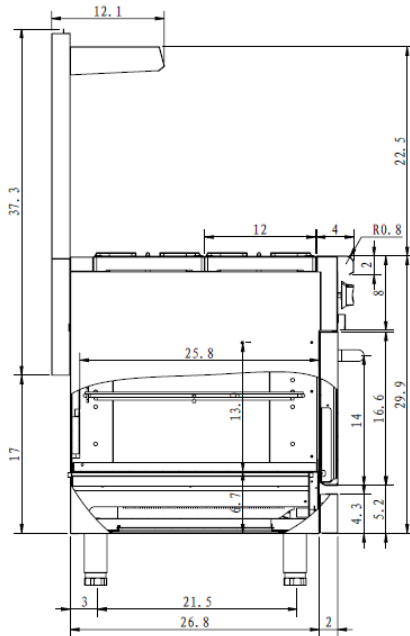
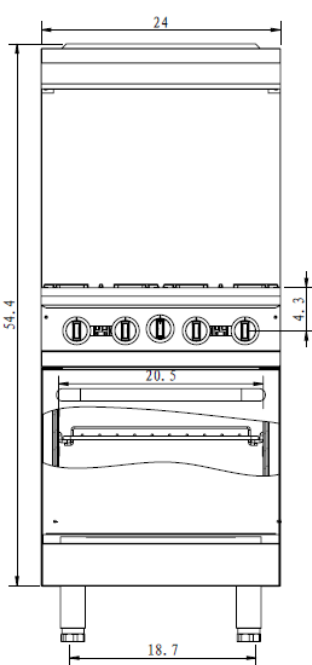
Model: ER-4



ER-4 Gas restaurant range

STANDARD FEATURES

- Stainless steel front, galvanized sides
- Cast iron open burner, each 30,000 BTU/hr
- Thermostat (250° F- 550° F) controlled oven
- Welded frame structure for best stability
- Flame failure control valve
- Adjustable heavy duty legs
- 12" x12"(30x30cm) cast iron grate
- Anti-clogging pilot cover under the grate
- A pull-out crumb tray with angled handle in the front
- U shape oven burner with 31,000 BTU/hr
- Thermal coupling safety valve for the oven
- Stainless steel oven door with good insulation
- Stainless steel handle for bottom oven
- Kick plate at the bottom for easy access for servicing
- 3/4" NPT rear gas connection



Model	Description	Oven dimension	Total BTU/HR	Packing Size(IN)	N/W (LB)	G/W (LB)
ER-4	Gas range with oven	20.5x25.8x13.9	151,000	28.3x40x44	291	357

