

Gas Hotplate



Model: EGHP-4L

- EGHP-2L Gas hotplate
- EGHP-4L Gas hotplate
- EGHP-6L Gas hotplate

STANDARD FEATURES

- Stainless steel front and sides
- Round cast iron burner, each 26,500 BTU/hr
- Cast iron grate
- Standby S/S pilot for easy start
- Adjustable heavy duty legs
- Full width crumb tray at the bottom
- Durable brass control valve
- Easy access to pilot valve adjustment screws
- Easy gas conversion in field
- 3/4" NPT rear gas connection
- Shipped with gas regulator

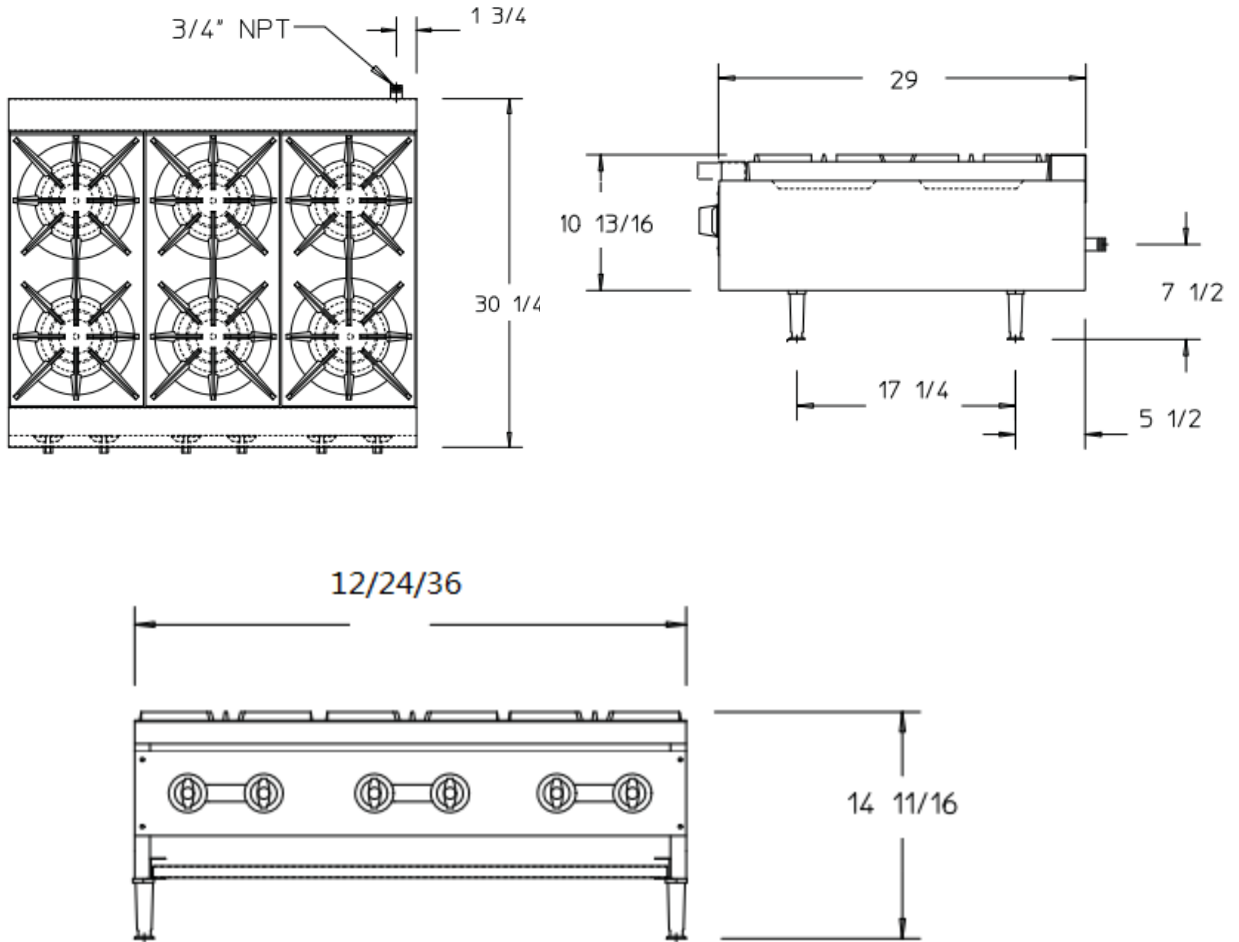
INSTALLATION INSTRUCTIONS

1. A gas pressure regulator supplied with the unit must be installed. Natural Gas 4.0" (102 mm) W.C. Propane Gas 10.0" (254 mm) W.C.
2. An adequate ventilation system is required for commercial cooking equipment.
3. These units are manufactured for installation in accordance with National Fuel Gas Code, ANSI-Z223.1/NFPA #54 (latest edition).
4. This appliance is intended for commercial installation only and is not intended for home use.
5. Equipment clearance requirement:

Non-Combustibles	Combustibles
Sides 0"	Sides 4"
Back 0"	Back 4"
6. All the installation must be performed by qualified technicians.
7. For gas conversion, please refer to conversion instructions in the Instruction Manual Book.

Gas Hotplate

Plan View



Model	BTU/HR	Burner Qty	Packing Size(IN)	N/W (LB)	G/W (LB)
EGHP-2L	53,000BTU	2	18x35x18	75	95
EGHP-4L	106,000BTU	4	29x35x18	130	157
EGHP-6L	159,000BTU	6	41x35x18	187	225