

GP SERIES GAS PIZZA & BAKE DECK OVENS



Model: GP-51

Specifications

Natural or LP gas heated counter top ovens. Standard specifications include two bake chambers each with 1" thick Cordierite ceramic hearth decks with independent bottom hinged doors, reversible side mounted handles, 40,000 to 60,000 BTUH per oven, ¾" NPT (ISO7) rear gas connection, and unique heat flow system that optimizes top and bottom heat. Bottom deck is best for rapid baking while the upper deck is for slower baking.

Modulating thermostat saves energy and assures balanced heat. Standard thermostat has a temperature range up to 650° F (343° C) and is ideal for pizza while a no charge optional 550° F (287° C) thermostat is ideal for baking and roasting. A standard combination valve incorporates a manual gas valve, pilot safety and gas regulator.

The oven exterior is constructed of durable stainless steel. Model GP-51 measures 32 5/8" wide (829mm) and model GP-61 measures 41 5/8" wide (1,057mm). Both models measure 31 ¼" deep (794mm) by 25 1/8" high (638mm) and may be doubled stacked. 4" (102mm) adjustable chrome plated legs are standard.

The combustion chamber is constructed of stainless steel and features easily removable slide out flame diverter. The baking chamber is heavy gauge high heat aluminized steel. Interior bake chambers are 26 ¼" (667mm) deep and will each accommodate a full size sheet pan lengthwise. Bake chamber heights are 6" (152mm) on the lower deck and 5" (127mm) on the upper deck.

MODELS:	GP-51	
	GP-52 Double	
	GP-61	GP-61HP
	GP-61 Double	GP-61 HP Double

Standard Features

- 40,000 BTUH per oven model GP-51 and 45,000 BTUH per oven model GP-61 60,000 BTUH available on GP-61HP
- Stackable for double production capacity
- Natural or propane gas
- Energy efficient, modulating thermostat and combination gas control valve
- Unique heat flow system for optimum flexibility
- Standard 300° F (149° C) to 650° F (343° C) temperature range
- Two bake chambers per oven with 1" thick Cordierite ceramic hearth bake decks
- 4" adjustable chrome plated legs
- All stainless steel exterior
- Stainless steel combustion chamber
- Aluminized steel bake chamber
- Slide-out flame diverter
- Front mounted, hinged control-valve access panel
- Heavy-duty industrial grade insulation in top, sides, back, bottom and doors

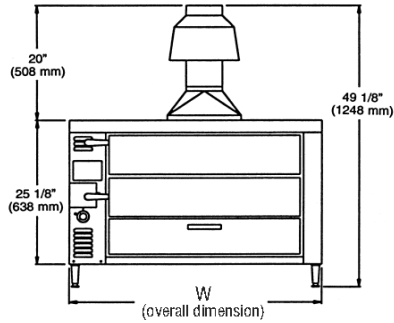
Options & Accessories

- Single door in lieu of double doors
- Removable upper deck on single door unit for 12" (308mm) bake and roast chamber height **(factory installed only, not field convertible)**
- Automatic oven starter
- Draft hood for direct venting
- Set of 30" (762mm) legs with or without casters
- Set of 16" (406mm) legs with or without casters for double stacked ovens
- Stainless steel undershelves for use with 30" (762mm) legs
- Heavy-duty caster set, two with locks, for use with 16" (406mm) or 30" (762mm) legs
- Stacking kits
- 48" (1219mm) quick disconnect gas hose with or without restraining cable

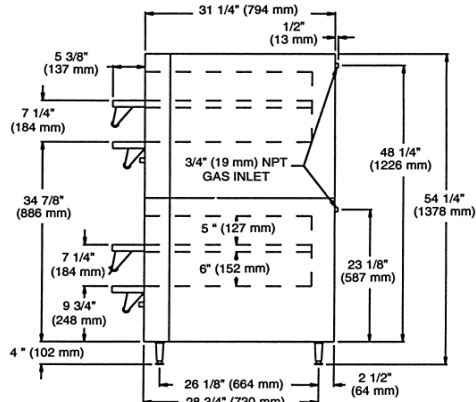
Certifications



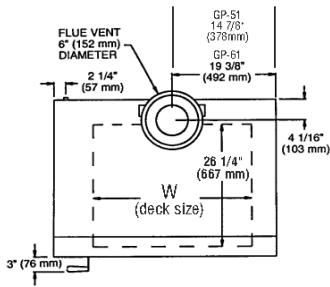
GP SERIES GAS PIZZA & BAKE DECK OVENS



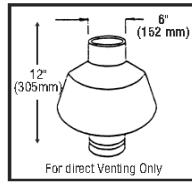
FRONT VIEW



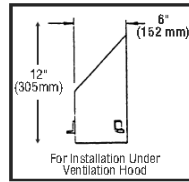
STACKED UNIT SIDE VIEW



TOP VIEW



MUST BE SPECIFIED AT TIME OF ORDER



STANDARD

SHIPPING INFORMATION										
Model	SHIPPING WEIGHT		CARTON DIMENSIONS						Crate size	
	Lbs	Kilos	Width		Depth		Height		Cubic Feet	Cubic Meter
			In	mm	In	mm	In	mm		
GP-51	405	205	52	1321	39	991	36	915	43.8	1.2
GP-52	Shipped in two GP-51 cartons									
GP-61	525	483	52	1321	39	991	36	915	43.8	1.2
GP-62	Shipped in two GP-61 Cartons									

GAS SUPPLY		
Model	BTUH	KW
GP-51	40,000	11.72
GP-52	80,000	23.44
GP-61	45,000	13.19
GP-62	90,000	26.37
GP-61HP	60,000	17.58
GP-62HP	120,000	35.16

Shipping Class 110 each oven ships separately

SPECIFICATIONS										
Model	DECK SIZE			# of Decks	OVERALL DIMENSIONS					
	In	mm	Width		Width		Depth		Height	
					In	mm	In	mm	In	mm
GP-51	20 5/8 x 26 1/2"	524x667	2	32 5/8	829	31 1/4	794	29 1/8	740	
GP-52	20 5/8 x 26 1/2"	524x667	4	32 5/8	829	31 1/4	794	54 1/4	1378	
GP-61	29 5/8 x 26 1/2"	752x667	2	41 5/8	1057	31 1/4	794	29 1/8	740	
GP-62	29 5/8 x 26 1/2"	752x667	4	41 5/8	1057	31 1/4	794	54 1/4	1378	

MINIMUM CLEARANCES				
	Non-Combustible Construction*		Combustible Construction	
	Inches	mm	Inches	mm
Left Side	0	0	1	25
Right Side	2	51	2	51
Rear	2	51	5	127

*From non-combustible construction

*Height excludes legs