

KD Service Cart

Open Sides

Models BC331KD

Features & Benefits



- This economical service cart is sturdy and durable and is designed to handle a wide variety of transporting needs from the back of the dock to the front of the house. Use it for table set up, bussing service, delivering prepared foods to the food bar, coffee service, or transporting catering supplies off the delivery truck.
- It ships “knocked down” (KD) to minimize shipping costs, yet is easy to assemble and ready to use in minutes.
- Load capacity is 300 lbs. (136 kg).
- Three polypropylene shelves are lightly textured to reduce sliding. They are durable, stain resistant and easy to clean.
- Raised marine rails around each shelf prevent items from slipping off.
- Generous 11 3/4” (30 cm) open spacing between shelves speeds up loading and unloading.
- Aluminum uprights between shelves ensure optimum sturdiness and stability and are rust-resistant.
- Two ergonomic polypropylene handles and a set of plugs are included with each cart. Cart can be set up with one or both. Use plugs to fill top holes on other side when installing only one handle.
- Four non-marking 4” (10 cm) swivel casters without brake are durable and strong and offer quiet, easy transportation. Made of powder coated steel for extra strength and rust-resistance.
- Optional accessories include a removable 8 gallon (30,3L) Trash Container and 2.5 gallon (9,5L) Silverware Holder. Available in Black (110) only.
- Easy to assemble. Directions included with each cart. Use plastic mallet only.
- Available in two colors, Speckled Gray (480) and Black (110).

Item No. _____

Specifier Identification No. _____

Model No. _____

Quantity _____



BC331KD Shown with One Handle, Silverware Holder and Trash Container
(Plugs are used in place of other handle)



BC331KD



**2.5 Gallon (9,5 L)
Silverware Holder**



8 Gallon (30,3 L) Trash Container

KD Service Cart

Open Sides

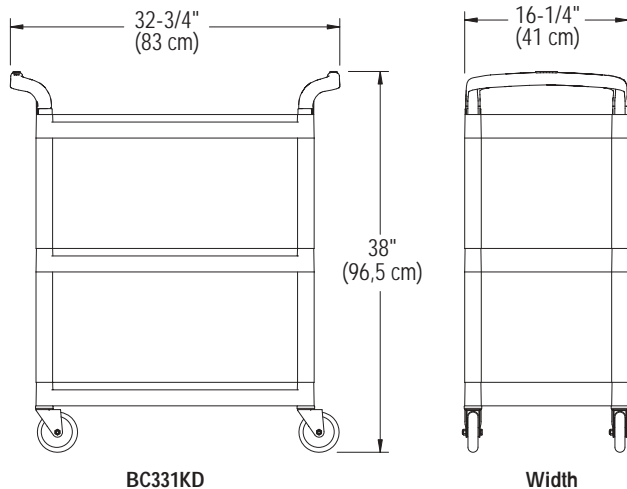
Models BC331KD

Item No. _____

Specifier Identification No. _____

Model No. _____

Quantity _____



Specifications

Dimension Tolerance: +/- 1/4" (0,64 cm)

Code	Description	Load Capacity	Inside Shelf Dimensions L x D x H*	Exterior Dimensions L x D x H (with both handles)	Case lbs./cube Kg/m ³
BC331KD	Service Cart - Open Sides	300 lbs. (136 Kg.)	24 ³ / ₄ " x 15 ³ / ₄ " x 11 ³ / ₄ " (62 x 40 x 30 cm)	32 ¹ / ₂ " x 16 ¹ / ₄ " x 38" (83,5 x 41 x 96,5 cm)	25.30 (4.70) 11,48 (0,133)

*Height is between shelves.

Optional Accessories

- 8 Gal. (30,3 L) Trash Container BC331KDTC
 2.5 Gal. (9,5 L) Silverware Holder BC33KDSH

Standard Cart Colors

- Speckle Gray (480)
 Black (110)

Architect Specs

The KD Service Cart shall be Cambro Model BC331KD. It shall be constructed of polypropylene shelves and anodized aluminum shelf supports. It shall have two each polypropylene ergonomic handles and two each polypropylene plugs. Each shelf shall have a slip-resistant, textured surface and raised edges on all four sides to prevent contents from sliding off. It shall have open sides with generous 11 3/4" (30 cm) spacing between shelves to speed up loading and unloading. It shall have four each 4" (10 cm) powder coated steel, swivel casters, all without brake. It shall be available with an optional 8 gallon (30,3 L) Trash Container and 2.5 gallon (9,5 L) Silverware Holder, both available in Black (110) only. It shall require assembly and shall be available in 2 colors.