

**REFRIGERATOR MANUFACTURER**  
**Turbo air**  
 more durable, efficient, beautiful

4184 E. Conant St.  
 Long Beach, CA 90808  
 Tel. 310-900-1000  
 Fax. 310-900-1077  
[www.turboairinc.com](http://www.turboairinc.com)

Project :  
 Model # :  
 Item # : Qty :  
 Available W/H :  
 Approval :

## Back Bars

*Underbar Equipment  
 Super Deluxe Series*

**Model : TBB-2SG/SB**



**TBB-2SG**



**TBB-2SB**



### ≡ FEATURES & BENEFITS ≡

■ **Equipped with easy-to-clean Air Filter**

The accumulation of dust in the condenser causes failures and/or breakdowns in refrigeration. Refrigeration operate normally until they accumulate a certain amount of dust. When they reach over their limit, performance will drop rapidly, resulting in damages and possible disposal of stored goods. This is why all refrigeration manufacturers require the condenser to be cleaned at least once a month for warranty to remain valid. Fortunately for Turbo Air, this process is simplified due to the frontal access air filter device. Users only need to pull out the filter and vacuum lightly to remove the dust. Simply place it back into position when complete.

■ **Efficient refrigeration system**

Turbo Air's refrigerators are designed with oversized and balanced R-134A (CFC Free) refrigeration systems. These include efficient evaporators and condensers for faster cooling and greater efficiency.

■ **Forced air cooling system**

Fast cooling and balanced temperature throughout the cabinet.

■ **Stainless steel countertop and interior**

The exterior of cabinet is constructed with heavy gauge reinforced stainless steel countertop and wear-resistant black vinyl coated galvanized steel. Interior is stainless steel except galvanized steel top. Turbo Air Back Bar model guarantees utmost in cleanliness and long product life. It also can add a touch of style to the most refined setting.

■ **Ergonomically designed doors**

Customers' fatigue fades away with easy grip handles and doors that open effortlessly. These features along with self-closing doors make this the ultimate choice in customer convenience.

■ **LED lighting interior**

■ **Double pane glass doors with Low-E glass (SG Models)**

■ **High-density polyurethane insulation**

The entire cabinet structure is foamed-in-place using high density, CFC free polyurethane insulation.

■ **Adjustable, heavy duty, PE (polyethylene) coated wire shelves**


■ **Side mount compressor unit**

■ **Refrigerator holds 33°F ~ 38°F for the best in beverage preservation**



Model	Swing Door	CU./FT.	1/2 Barrels	#of Shelves	HP	AMPS	Crated Weight (lbs.)	L x D* x H† (inches)
<b>TBB-2SG</b>	<b>2</b>	<b>19</b>	<b>2</b>	<b>6</b>	<b>1/3</b>	<b>7</b>	<b>344</b>	<b>58 3/4 x 27 1/4 x 37 1/8</b>
<b>TBB-2SB</b>	<b>2</b>	<b>19</b>	<b>2</b>	<b>6</b>	<b>1/4</b>	<b>7</b>	<b>332</b>	<b>58 3/4 x 27 1/4 x 37 1/8</b>

## Model : TBB-2SG/2SB

ELECTRICAL DATA		
Voltage		115/60/1
Plug Type		Ⓜ NEMA 5-15P
Full Load Amperes		7
Compressor HP		1/3(SG) / 1/4(SB)
Refrigerant		R-134A
Cord Length (ft.)		9
Lamp (W)		30
DIMENSIONAL DATA		
Capacity	1/2 Barrels	2
	Cubic Feet	19
Ext. Length Overall (in.)		58 <sup>3</sup> / <sub>4</sub> (1492mm)
Ext. Depth Overall (in.)*		27 <sup>1</sup> / <sub>4</sub> (692mm)
Ext. Height Overall (in.)†		37 <sup>1</sup> / <sub>8</sub> (945mm)
Net Weight (lbs.)		276(SG) / 286(SB)
Gross Weight (lbs.)		344(SG) / 332(SB)
# of Swing Door		2
# of Shelves		6
Shelf size (L x D) (in.)		(R)20 x 19 <sup>3</sup> / <sub>8</sub> , (L)24 <sup>3</sup> / <sub>8</sub> x 19 <sup>3</sup> / <sub>8</sub>
# of Casters		

Design and specifications subject to change without notice.  
Actual shipping weight may differ due to extra packing materials for product protection.  
\* Depth does not include 1" for door handle (SG Models).  
Depth does not include 2" for rear spacers.  
† Height does not include 5" for caster height.

### ■ WARRANTY : 3 Year Parts and Labor Warranty Additional 2 Year Warranty on Compressor

- Self-contained system
- Door locks standard (SB model only)
- 4" dia. swivel casters standard
- 2" dia. casters available (optional)
- 6" height adjustable legs available (optional)

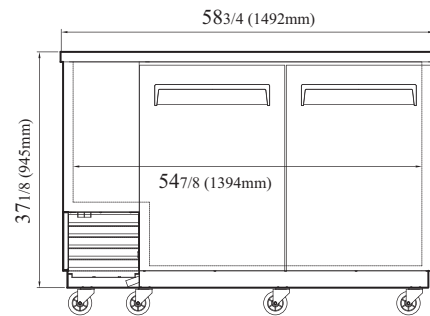
### ■ OPTIONAL ACCESSORIES :

- 2" caster for underbar series, 1/2" diameter: P0165B0100 (non-brake), P0165B0110 (w/ brake)
- 5" caster, 1/2" diameter & 13 TPI: M726500100 (non-brake), M726500200 (w/ brake)
- 6" adjustable stainless steel leg: P0121P0100
- Additional PE coated wire shelf: 30278D1000 (Left), 30278D0900 (Right)

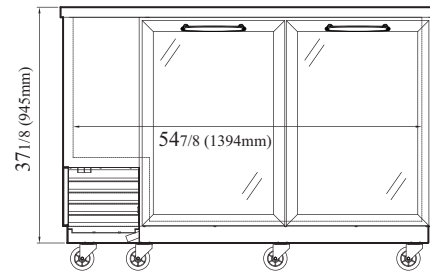
Ver.201701

## PLAN VIEW

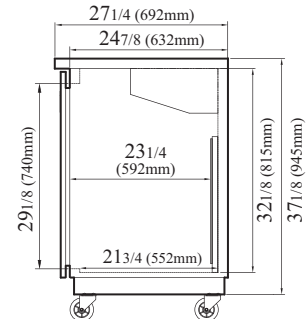
(unit : inch)



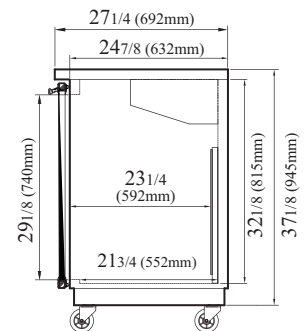
TBB-2SB FRONT VIEW



TBB-2SG FRONT VIEW



TBB-2SB SIDE VIEW



TBB-2SG SIDE VIEW



- Turbo Air : 800-627-0032
- GK : 800-500-3519
- Warranty : 800-381-7770
- AC : 888-900-1002