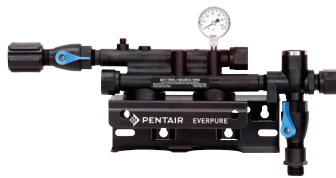


# EVERPURE® QUICK-CHANGE TWIN MANIFOLDS

## FOR USE WITH EVERPURE QUICK-CHANGE CARTRIDGES

Everpure EC110 Replacement Cartridge (12 PK): EV9534-12  
 Everpure EC210 Replacement Cartridge (6 PK): EV9534-26



QC7I Twin Head: EV9272-22



Coldrink/Insurice Twin Manifold with  
 10" Prefilter: EV9293-02



High Flow CSR 10" Prefilter  
 Twin Manifold: EV9294-02



Coldrink/Insurice Twin Manifold  
 with 20" Prefilter: EV9293-22



High Flow CSR Twin Manifold  
 with 20" Prefilter: EV9294-22

## APPLICATIONS

Fountain	Tea
Ice	Whole Store
Coffee	

## FEATURES • BENEFITS

Commercial-grade filter heads for Everpure filter cartridges

Includes mounting box bracket and screws for fast and easy installation; no extra mounting plate is required

Optional built-in water shut-off valve and flushing valve makes cartridge change-outs easy

Built-in water pressure gauge helps monitor proper flow

Cartridge nesting feature provides a more secure, durable fit

Engineered for durability, strength and longevity; will not corrode

Includes Everpure EC110 or Everpure EC210 pre-filter cartridge and ScaleStick®

All wetted parts have successfully passed NSF® extraction tests

## INSTALLATION TIPS

Mounts directly onto flat surface. Install vertically so cartridge hangs down.

Allow 2 1/2" (6.4 cm) clearance below the cartridge for easy cartridge replacement.

Flush filter by running water through filter according to cartridge instructions.

Refer to Installation, Operation & Maintenance Manual for cartridge flushing and startup.

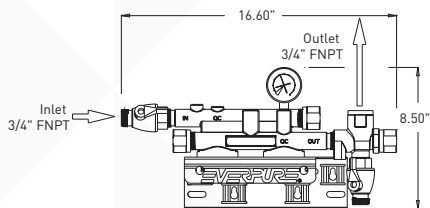
## OPERATION TIPS

Change cartridges on a regular six (6) month preventative maintenance program.

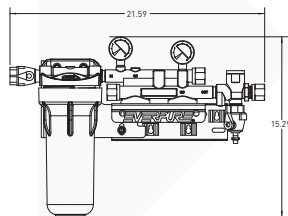
Change cartridges when capacity is reached or when pressure decreases.

# EVERPURE® QUICK-CHANGE TWIN MANIFOLD

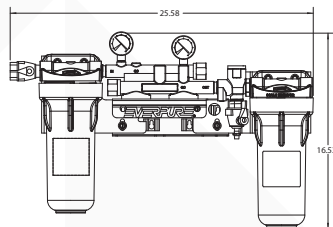
## QC TWIN MANIFOLD



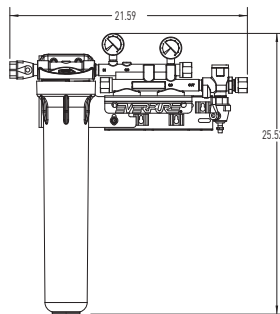
QC71 Twin Head: EV9272-22



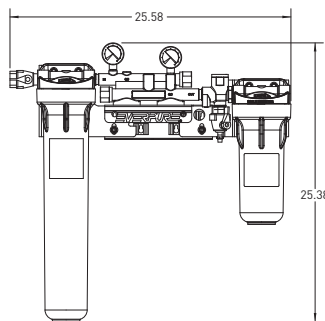
Coldrink/Insurice Twin Manifold with 10" Prefilter: EV9293-02



High Flow CSR Twin Manifold with 10" Prefilter: EV9294-02



Coldrink/Insurice Twin Manifold with 20" Prefilter: EV9293-22



High Flow CSR Twin Manifold with 20" Prefilter: EV9294-22

## SPECIFICATIONS

### Overall Dimensions

EV9272-22: 16.6" W x 8.5" H x 6.13" D  
(42.16 cm x 21.59 cm x 15.57 cm)

EV9293-02: 21.59" W x 15.29" H x 6.13" D  
(54.84 cm x 38.83 cm x 15.57 cm)

EV9293-22: 21.59" W x 25.52" H x 6.13" D  
(54.84 cm x 64.82 cm x 15.57 cm)

EV9294-02: 25.58" W x 16.53" H x 6.94" D  
(64.97 cm x 41.98 cm x 17.63 cm)

EV9294-22: 25.58" W x 25.38" H x 6.94" D  
(64.97 cm x 64.46 cm x 17.63 cm)

EV9534-12 (12 PK): 9.8" H x 3.38"  $\varnothing$  D  
(24.90 cm x 8.58  $\varnothing$  cm)

EV9534-26 (6 PK): 20" H x 3.38"  $\varnothing$  D  
(50.8 cm x 8.58  $\varnothing$  cm)

### Electrical Connection

None required

The contaminants or other substances removed or reduced by this drinking water system are not necessarily in your water. Do not use with water that is microbiologically unsafe or of unknown quality without adequate disinfection before or after the system.

## WARRANTY

Everpure water treatment systems by Pentair® (excluding replaceable elements) are covered by a limited warranty against defects in material and workmanship for a period of five years after date of purchase. Everpure replaceable elements (filter cartridges and water treatment cartridges) are covered by a limited warranty against defects in material and workmanship for a period of one year after date of purchase. See printed warranty for details. Pentair will provide a copy of the warranty upon request.



### WATER QUALITY SYSTEMS

EVERPURE-SHURFLO WORLD HEADQUARTERS, 1040 MUIRFIELD DRIVE, HANOVER PARK, IL 60133 USA • FOODSERVICE.PENTAIR.COM  
800.942.1153 (US ONLY) • 630.307.3000 MAIN • 630.307.3030 FAX • CSEVERPURE@PENTAIR.COM EMAIL

EVERPURE-SHURFLO AUSTRALIA, 1-21 MONASH DRIVE, DANDENONG SOUTH, VIC 3175 AUSTRALIA  
011.1300 576 190 TEL • 011.61.39.562.7237 FAX • AU.EVERPURE@PENTAIR.COM EMAIL

EVERPURE-SHURFLO CHINA, 21F CLOUD 9 PLAZA, NO 1118, SHANGHAI, 200052, CHINA  
86.21.3211.4588 TEL • 86.21.3211.4580 FAX • CHINA.WATER@PENTAIR.COM EMAIL

EVERPURE-SHURFLO INDIA, GREEN BOULEVARD, B-9/A, 7TH FLOOR - TOWER B SECTOR 62, NOIDA - 201301  
91.120.419.9444 TEL • 91.120.419.9400 FAX • INDIACUSTOMER@PENTAIR.COM EMAIL

EVERPURE-SHURFLO EUROPE, PENTAIR WATER BELGIUM BVBA, INDUSTRIEPARK WOLFSTEE, TOEKOMSTLAAN 30, B-2200 HERENTALS, BELGIUM  
+32.(0).14.283.504 TEL • +32.(0).14.283.505 FAX • SALES@EVERPURE-EUROPE.COM EMAIL

EVERPURE-SHURFLO JAPAN INC., HASHIMOTO MN BLDG. 7F, 3-25-1 HASHIMOTO, MIDORI-KU, SAGAMIHARA-SHI KANAGAWA 252-0143, JAPAN  
81.(0)42.775.3011 TEL • 81.(0)42.775.3015 FAX • INFO@EVERPURE.CO.JP EMAIL

EVERPURE-SHURFLO SOUTHEAST ASIA, 390 HAVELOCK ROAD, #04-01 KING'S CENTRE, SINGAPORE 169662  
65.6768.5800 TEL • 65.6737.5149 FAX • CSEVERPURE@PENTAIR.COM EMAIL

All Pentair trademarks and logos are owned by Pentair, Inc. or its affiliates. All other registered and unregistered trademarks and logos are the property of their respective owners. Because we are continuously improving our products and services, Pentair reserves the right to change specifications without prior notice. Pentair is an equal opportunity employer.