



## Specifications & Features

**Model # PW5002-3**

### **2 Door Warmer & Merchandiser**

This versatile 2-Door Warmer & Merchandiser is ideal for front or rear counter applications. The operator side has the controls and a door for easy loading. The customer side door makes it a self-serve unit. The adjustable thermostat and circulating fan make this unit ideal for any application. The three adjustable chrome-plated racks can be placed flat or sloped and are removable for easy cleaning. Attractive Graphics help to create impulse sales. Stainless Steel and Aluminum construction provides durability and ease of cleaning.



#### **FEATURES:**

- Designed for heating
- Adjustable thermostat, 450 watt element
  - Temperature up to 160F
- Two doors for front or rear counter applications
- Tempered glass side and door panels
- Adjustable chrome-plated racks can be placed flat or sloped
- Clear glass door provides easy visibility
- Construction: Aluminum cabinet
- Limited manufacturers warranty

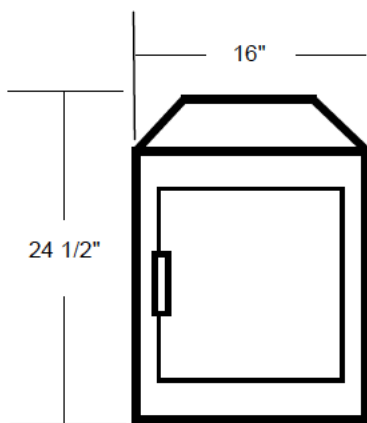
Note: Dimensions and Specification are subject to change without notice.



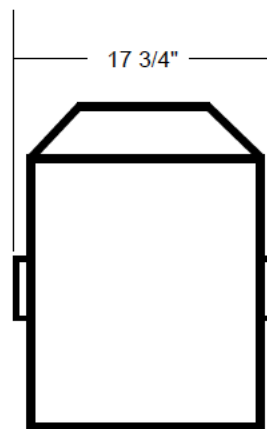


**Dimensions & Specifications**  
**Model # PW5002-3**  
**2-Door Warmer & Merchandiser**

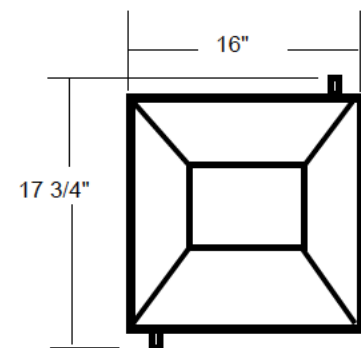
**Front View**



**Side View**



**Top View**



<b>Electrical:</b>	120 Volt, 60 HZ or 220 Volt, 50 HZ
<b>Power:</b>	450W
<b>Options:</b>	
<b>Net Weight:</b>	39 pounds
<b>Gross Shipping Weight:</b>	42 pounds
<b>Dimensions:</b>	16" W x 17 3/4" D x 24 1/2" H
<b>Package:</b>	17 3/4" W x 19 3/4" D x 25" H

Note: Dimensions and specifications are subject to change without notice.