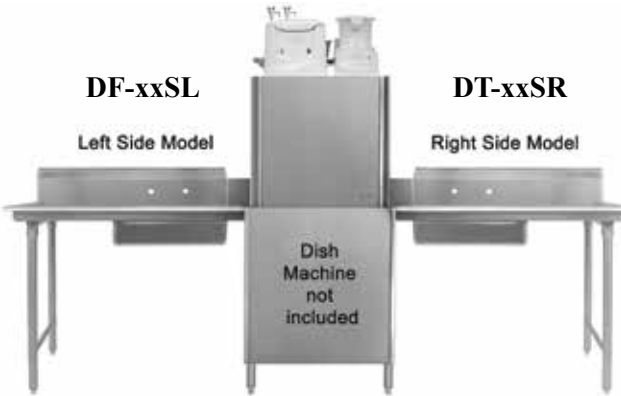


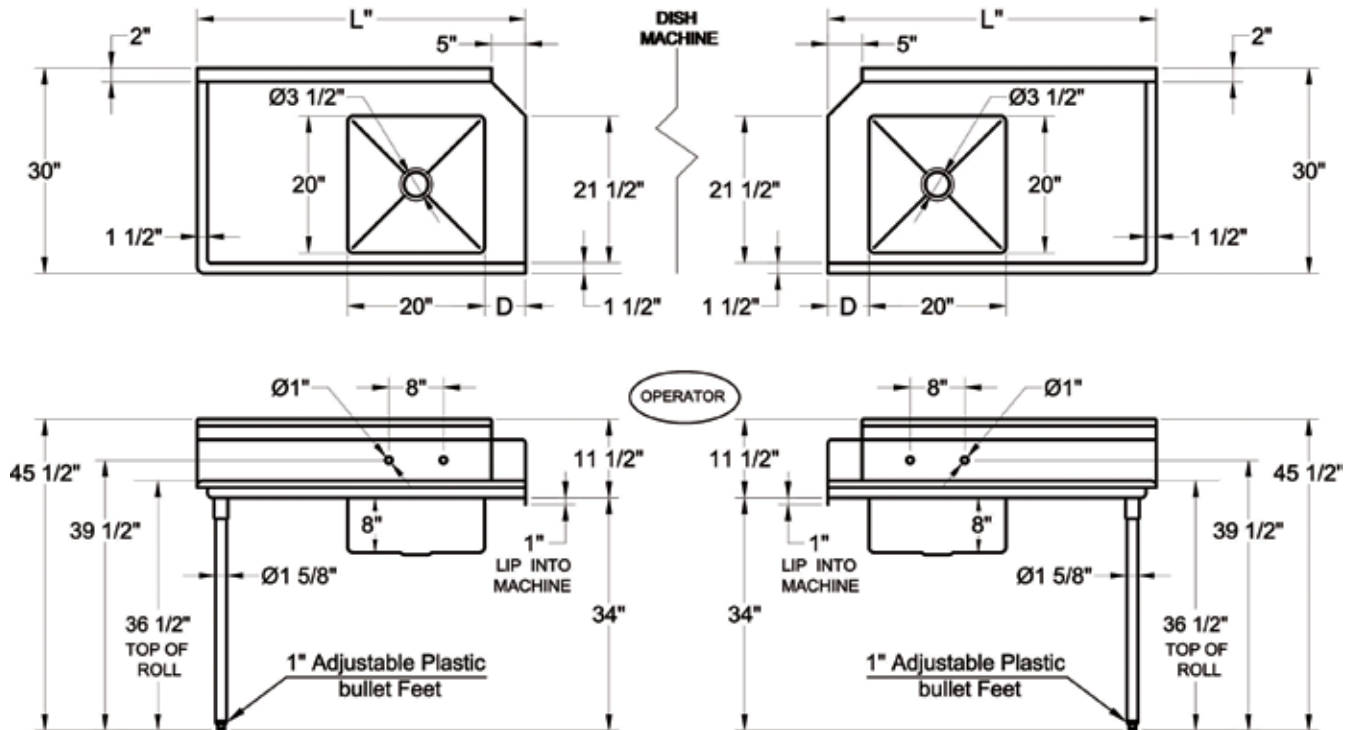
## Soiled Dishtables

- \* Polished stainless steel work surface
- \* Table has formed-down lip to fit most standard dishwashers.
- \* 16 Ga. 304 S/S top & bowls.
- \* 11-1/2" backsplash, 20"x20"x8" bowl.
- \* Stainless steel cross braced legs.
- \* Faucet and scrap basket are not included.
- \* 72" and up models come with 4 legs.



Order No	Gauge	Overall Size ( inch )			D	Weight lbs/ea
		W	L	H		
DT24S-L	16	30	24	45-1/2	1.25	39
DT24S-R	16	30	24	45-1/2	1.25	39
DT30S-L	16	30	30	45-1/2	6	44
DT30S-R	16	30	30	45-1/2	6	44
DT36S-L	16	30	36	45-1/2	6	48
DT36S-R	16	30	36	45-1/2	6	48
DT48S-L	16	30	48	45-1/2	6	59
DT48S-R	16	30	48	45-1/2	6	59
DT60S-L	16	30	60	45-1/2	6	67
DT60S-R	16	30	60	45-1/2	6	67
DT72S-L	16	30	72	45-1/2	6	77
DT72S-R	16	30	72	45-1/2	6	77
DT84S-L	16	30	84	45-1/2	6	87
DT84S-R	16	30	84	45-1/2	6	87
DT96S-L	16	30	96	45-1/2	6	97
DT96S-R	16	30	96	45-1/2	6	97

Dishtables(58~60)



Left Side Model

Right Side Model