

WX1 Warmer

0.0" x 0.0" x 0.0"
(0.0cm x 0.0cm x 0.0cm)

Feature points are currently unavailable.



Agency:



Specifications

Product #: 06450.0004

Finish: Stainless

Additional Features

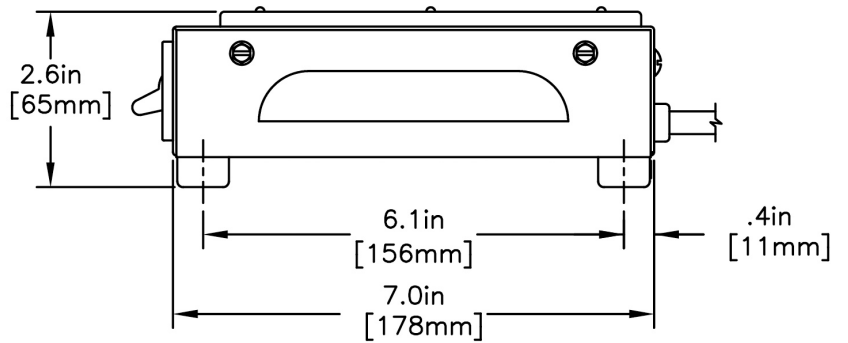
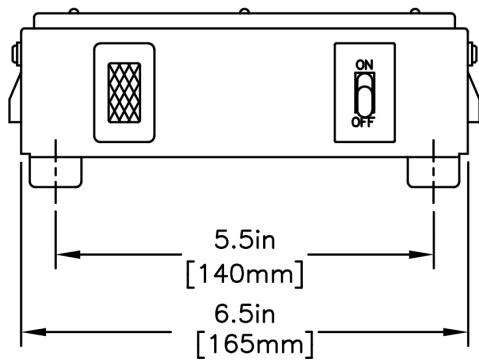
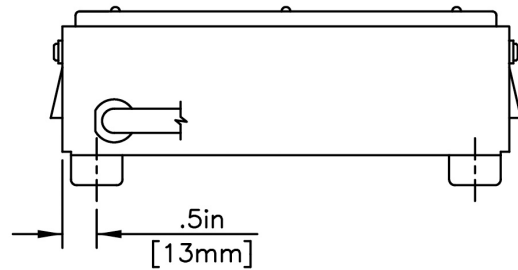
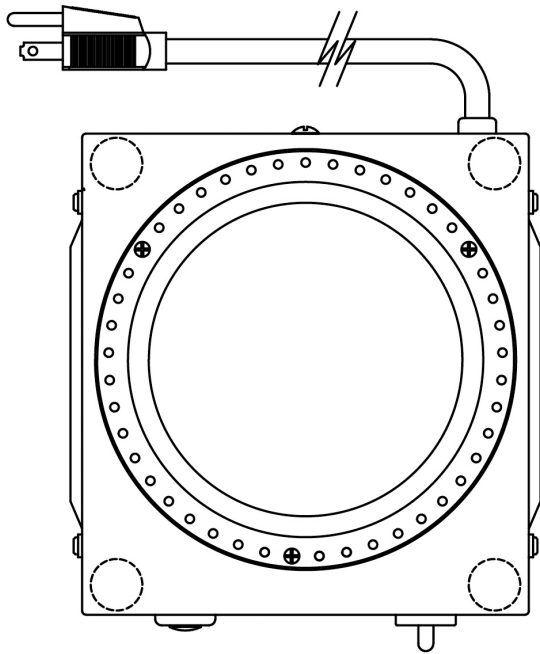
Holding Capacity

English	Metric
-	-



BUNN® reserves the right to change specifications and product design without notice. Such revisions do not entitle the buyer to corresponding changes, improvements, additions or replacements for previously purchased equipment. For most current specifications and other info visit bunn.com.

Created on:
11/30/2016



	Unit			Shipping				
	Width	Height	Depth	Width	Height	Depth	Weight	Volume
English	-	-	-	-	-	-	2.550 lbs	0.189 ft ³
Metric	-	-	-	-	-	-	1.157 kgs	0.005 m ³



BUNN® reserves the right to change specifications and product design without notice. Such revisions do not entitle the buyer to corresponding changes, improvements, additions or replacements for previously purchased equipment. For most current specifications and other info visit bunn.com.

Created on:
11/30/2016

Related Products & Accessories:WX1 Warmer(06450.0004)

Related Products selections are currently unavailable. Please contact your sales representative to find out more information.



BUNN® reserves the right to change specifications and product design without notice. Such revisions do not entitle the buyer to corresponding changes, improvements, additions or replacements for previously purchased equipment. For most current specifications and other info visit bunn.com.

Created on:
11/30/2016

Model Compatibility: WX1 Warmer(06450.0004)

Compatibility selections are currently unavailable. Please contact your sales representative to find out more information.



BUNN® reserves the right to change specifications and product design without notice. Such revisions do not entitle the buyer to corresponding changes, improvements, additions or replacements for previously purchased equipment. For most current specifications and other info visit bunn.com.

Created on:
11/30/2016