

VP17-1 (1 Lower Warmer)

17.3" x 17.7" x 8.5"
(43.9cm x 45.0cm x 21.6cm)

- Pourover brewer requires no plumbing – completely portable
- SplashGard® funnel deflects hot liquids away from the hand



Servers and airpots sold separately

Agency:



Specifications

Additional Features

Product #: 13300.0011

Water Access: Not Plumbed

Finish: Black

Funnel: Black Plastic

Warmers: One Lower

Electrical & Capacity

Volts	Amps	Watts	Cord Attached	Plug Type	8oz cups/hr 236ml cups/hr	Input H ² O Temp.	Phase	# Wires plus Ground	Hertz
120	13.3	1600	Yes	NEMA 5-15P	62	60°F (15.5°C)	1	2	60

Plumbing Requirements

PSI	kPa	Fitting Supplied	Water Flow Required (GPM)
-	-	-	-

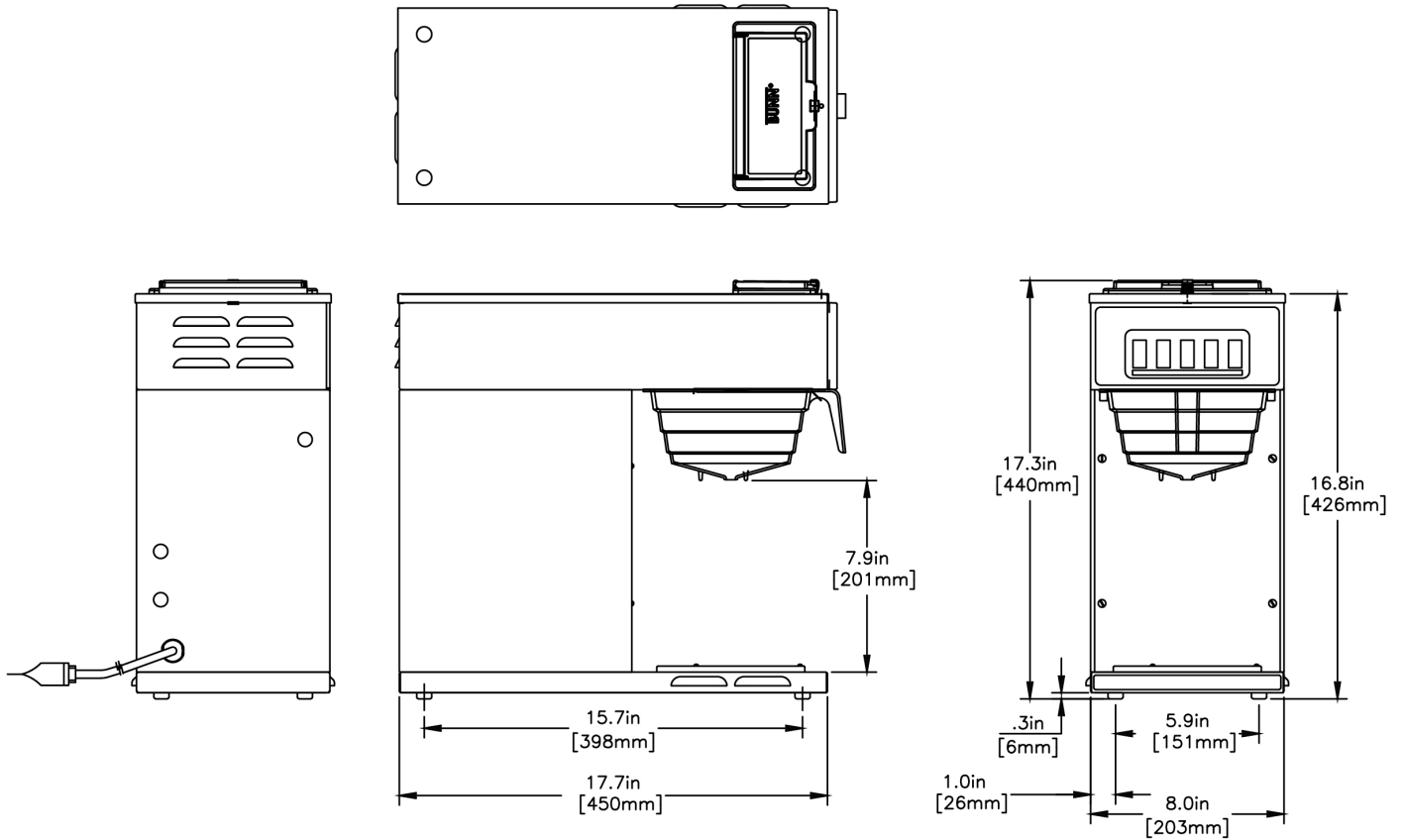
CAD Drawings

2D	Revit	KLC
●		



BUNN® reserves the right to change specifications and product design without notice. Such revisions do not entitle the buyer to corresponding changes, improvements, additions or replacements for previously purchased equipment. For most current specifications and other info visit bunn.com.

Created on:
11/30/2016



Unit				Shipping				
	Width	Height	Depth	Width	Height	Depth	Weight	Volume
English	8.5 in.	17.3 in.	17.7 in.	-	-	-	25.800 lbs	5.440 ft ³
Metric	21.6 cm	43.9 cm	45.0 cm	-	-	-	11.703 kgs	0.154 m ³



BUNN® reserves the right to change specifications and product design without notice. Such revisions do not entitle the buyer to corresponding changes, improvements, additions or replacements for previously purchased equipment. For most current specifications and other info visit bunn.com.

Created on:
11/30/2016

Related Products & Accessories:VP17-1 (1 Lower Warmer)(13300.0011)



WX2, 120V

Product #: 06310.0004



WX1, 120V

Product #: 06450.0004



FILTERS.REGULAR1M
500/2 50/CL

Product #: 20115.0000



BUNN® reserves the right to change specifications and product design without notice. Such revisions do not entitle the buyer to corresponding changes, improvements, additions or replacements for previously purchased equipment. For most current specifications and other info visit bunn.com.

Created on:
11/30/2016

