



Outperform every day.™

Project:

Item Number:

Quantity:

Conveyor Toasters - 250-350 Slices per Hour, 120V

The Vollrath Company, L.L.C.

CONVEYOR TOASTERS - 250-350 SLICES PER HOUR, 120V (MODELS JT1, JT1H)



DESCRIPTION

Vollrath's 250-350 slice per hour, 120V conveyor toasters feature easy to use conveyor control to perfectly toast a variety of bread products - from sliced bread to buns and bagels. These toasters are well suited for lower volume applications such as self-serve breakfast buffets and to replace pop-up toasters.

ITEMS

Item No.	Model No.	Description
CT2-120350	JT1	350 Slices Per Hour, 120V
CT2H-120250	JT1H	250 Slices Per Hour, 120V, High Clearance

FEATURES

- Stainless steel and aluminized steel construction.
- Variable speed control.
- 10½" (26.7 cm) 2-slice wide conveyor is larger than industry standard for better toasting results.
- Forced convection toasting promotes uniform results and energy efficiency.
- Energy efficient, fast reacting, quartz heaters.
- High-quality, Teflon™-impregnated wires help prevent against dry rotting and cracking.
- High-temperature thermoplastic terminal blocks with stainless steel clamping provides superior connections; designed for ease of serviceability.
- Industry's only maintenance-free drive system; stainless steel drive chain does not require lubrication.
- Standby mode saves up to 75 percent energy during slow periods when unit is not in use and allows machine to quickly return to full power.
- Adjustable legs.
- 5 ft. (1.5 m) cord with plug.
- Made in the USA.

WARRANTY

- Warrantied parts: The warranty period is 2 year parts, 1 year labor.
- Heater tubes: The warranty period is 1 year, including labor when performed at an authorized service center. Heater tube glass damage is not covered by this warranty.
- For full warranty details, please refer to www.Vollrath.com.

CLEARANCE AND ENVIRONMENT REQUIREMENTS

- Do not place on surfaces or near walls, partitions or kitchen furniture unless they are made of non-combustible material or clad with non-combustible heat-insulating material. Toasters must not be used near or below curtains and other combustible materials.
- Maximum ambient temperature: 104° F (40° C).

Agency Listings



Due to continued product improvement, please consult www.vollrath.com for current product specifications.

Approvals	Date



Outperform every day.™

www.vollrath.com

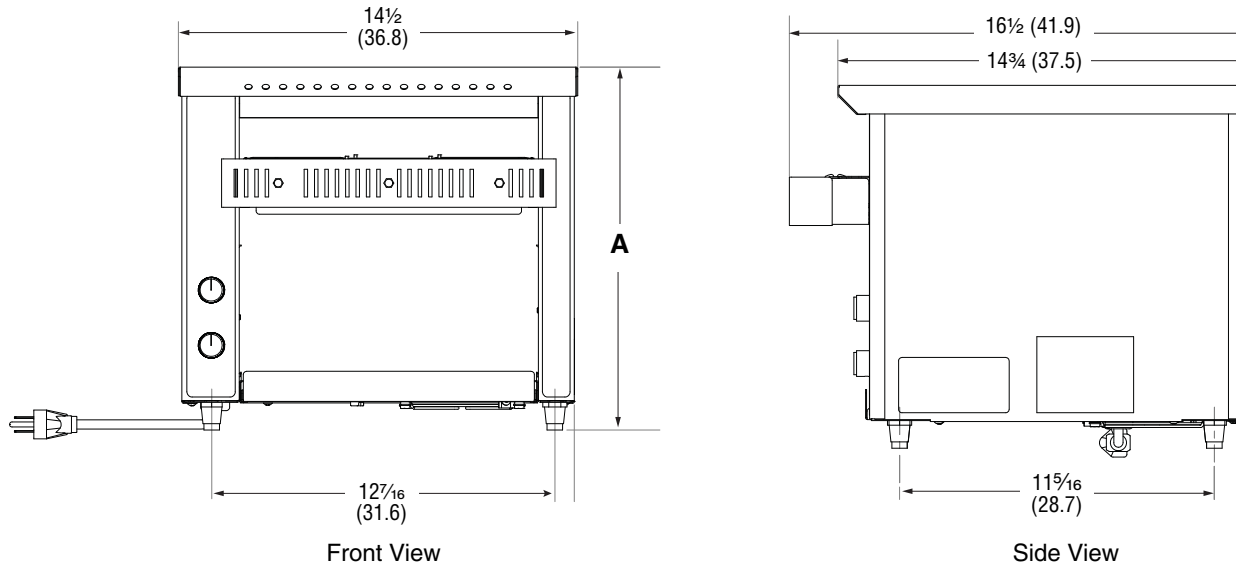
The Vollrath Company, L.L.C.

1236 North 18th Street
Sheboygan, WI 53081-3201 U.S.A.
Main Tel: 800.624.2051 or 920.457.4851
Main Fax: 800.752.5620 or 920.459.6573
Customer Service: 800.628.0830
Canada Customer Service: 800.695.8560

Technical Services
techservicereps@vollrathco.com
Toasters: 1-800-309-2250
All Other Products: 800.628.0832

CONVEYOR TOASTERS - 250-350 SLICES PER HOUR, 120V (MODELS JT1, JT1H)

DIMENSIONS (Shown in inches (cm))



SPECIFICATIONS

Item No.	Model	Product Clearance In (CM)	Slices or Bun Halves per Hour	Voltage	Watts	Amps	Hz	(A) Height IN (CM)	Weight LB (KG)	Plug	Receptacle
CT2-120350	JT1	1 1/2 (3.8)	350	120	1600	13.3	60	13 1/8 (33.3)	35 (15.9)	NEMA 5-15P	120V NEMA 5-15R
CT2H-120250	JT1H	2 1/2 (6.4)	250					14 3/16 (36)			



Outperform every day.™

www.vollrath.com

The Vollrath Company, L.L.C.

1236 North 18th Street
 Sheboygan, WI 53081-3201 U.S.A.
 Main Tel: 800.624.2051 or 920.457.4851
 Main Fax: 800.752.5620 or 920.459.6573
 Customer Service: 800.628.0830
 Canada Customer Service: 800.695.8560

Technical Services
techservicereps@vollrathco.com
 Toasters: 1-800-309-2250
 All Other Products: 800.628.0832